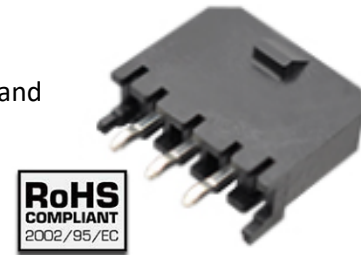


Wire to Board, Header

SWTB-C3000VD1-XX

Description

The SWTB-C3000VD1-xx is a THT style header with a 3.00 mm pitch and is available up to 12 poles.



Features

Mechanical Properties

Description

Insulator material	PA9T, UL94V-0
Contact material	Brass, Tin plated over Nickel.
Operating Temperature	-40°C~+105°C
Pitch	3.00 mm
Orientation	Vertical
Dimensions	See table

Electrical Properties

Description

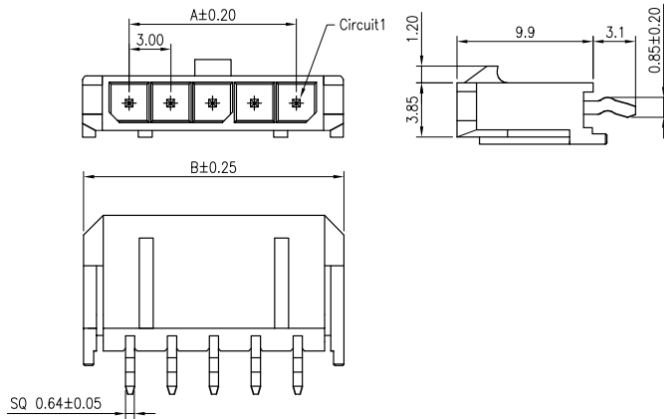
Current Rating	5A AC/DC
Voltage Rating	250V AC/DC
Contact Resistance	10 mΩ max.
Insulation Resistance	1000 MΩ min.
Dielectric Withstanding	1500V AC / 1 min

Wire to Board, Header

SWTB-C3000VD1-XX

Dimensions

*unit: mm, N= number of poles

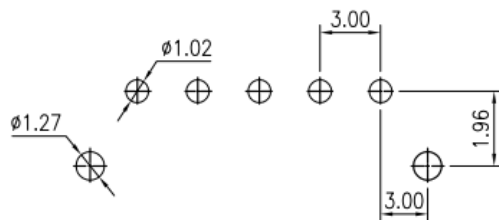


Number of Poles: Dimensions

	Dimensions	
	A	B
02	3,00	9,65
03	6,00	12,65
04	9,00	15,65
05	12,00	18,65
06	15,00	21,65
07	18,00	24,65
08	21,00	27,65
09	24,00	30,65
10	27,00	33,65
11	30,00	36,65
12	33,00	39,65

PCB Footprint

*unit: mm,



Part number

SWTB-C3000VD1-XX

SWTB-C3000VD1

Style of connector

XX

Poles

2,3,4,5,6,7,8,9,10,11,12

Wire to Board, Header

SWTB-C3000VD1-XX



Ordering information

Ordering can be done via www.summit-electronics.com or via info@summit-electronics.com. Please contact us for more information. Customisation of the product is available on request.

Technical support

For all product questions please contact us via info@summit-electronics.com

Document revision

Rev	Date	changes
V01.00	27-06-2023	First issue of document, EK